








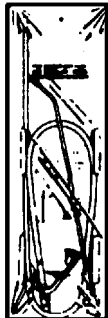



SUPPLY TUBES, SUPPLY TUBE ASSEMBLIES and COMPLETE DISCHARGE KITS, *Continued*

SUPPLY TUBE	ORDER	SUPPLY TUBE	ORDER	SUPPLY TUBE ADAPTOR for Weed 'n BUG	ORDER	TANK FITTINGS FOR SUPPLY TUBE	
 For 66012 and pre-1995 steel models with poly funnel except Comando®	153-443	 For 1995 & after, steel models with poly funnel including Comando®	153-430	 153-934	153-934	 Cap nut for .225" hose	153-619
						 Cap nut for 3/8" hose	153-676
						 Lock nut	153-695
						 O-ring seal	805-329
						 Inner tank fitting	147-904

COMPLETE DISCHARGE LINE (Roto-Valve™) 	CONTAINS .225" I.D. hose, Roto-Valve™ spray control valve, hose, supply tube, connector and fittings.	Fits any sprayer that came with .225 hose.	COMPLETE DISCHARGE LINE (Plastic valve) 	CONTAINS .225" I.D. hose, Plastic spray control valve/handle/wand, supply tube with fittings and adapter assembly for metal tank.	Fits Poly Leader®, Weed 'n Bug™, SPS™, and metal sprayers with a metal funnel.
		ORDER 146-094			ORDER 146-086

HOSE, HOSE KITS AND CLAMPS

HOSE KIT		ORDER	HOSE KIT		ORDER	HOSE CLAMPS		ORDER
For all models with 225" i.d. hose.	Includes: Cap nut, hose connector, 60" Dura-Cril hose, 2 hose clamps, O-ring for supply tube connector.	146-745	For all models with 3/8" i.d. hose.	Includes: 48" long, 3/8" i.d. hose, 2 hose clamps.	146-096		For all models with .225" i.d. hose.	803-608
							For all models with 3/8" i.d. hose.	803-603
								Sold <i>each</i>