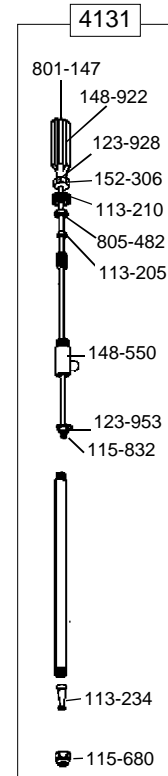
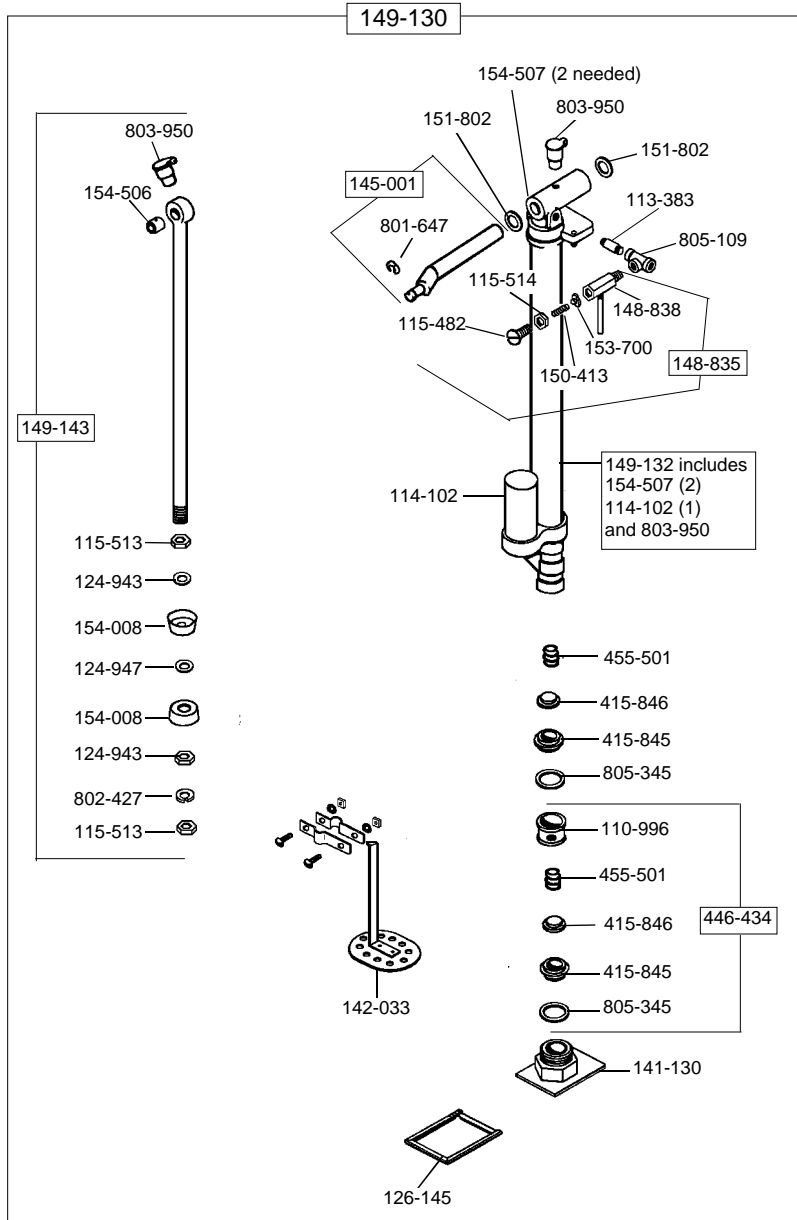


MAINTENANCE PARTS FOR HUDSON POWER SPRAYERS

Models:

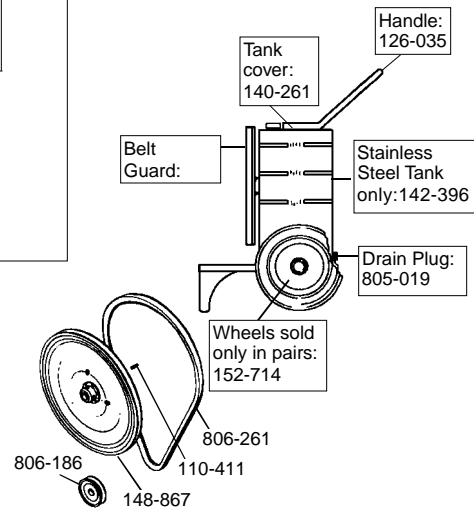
95721 42025 42251 47250
95722 42250 47025 47251



Nozzle spray disks can replace long distance nozzle tip above

No. 2	805-812
No. 3	805-813
No. 4	805-814
No. 5	805-815

Gasket for use with nozzle tips above: 123-950



See page 14 for pump servicing details.