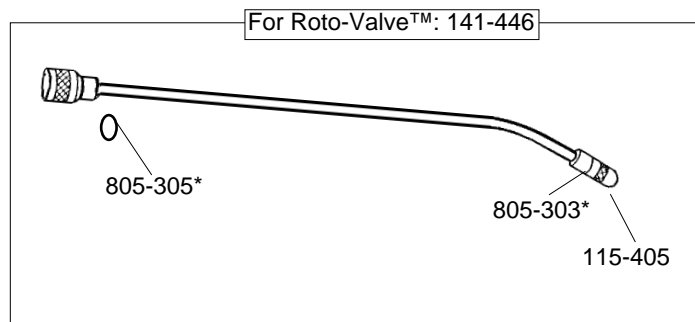
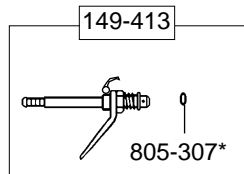
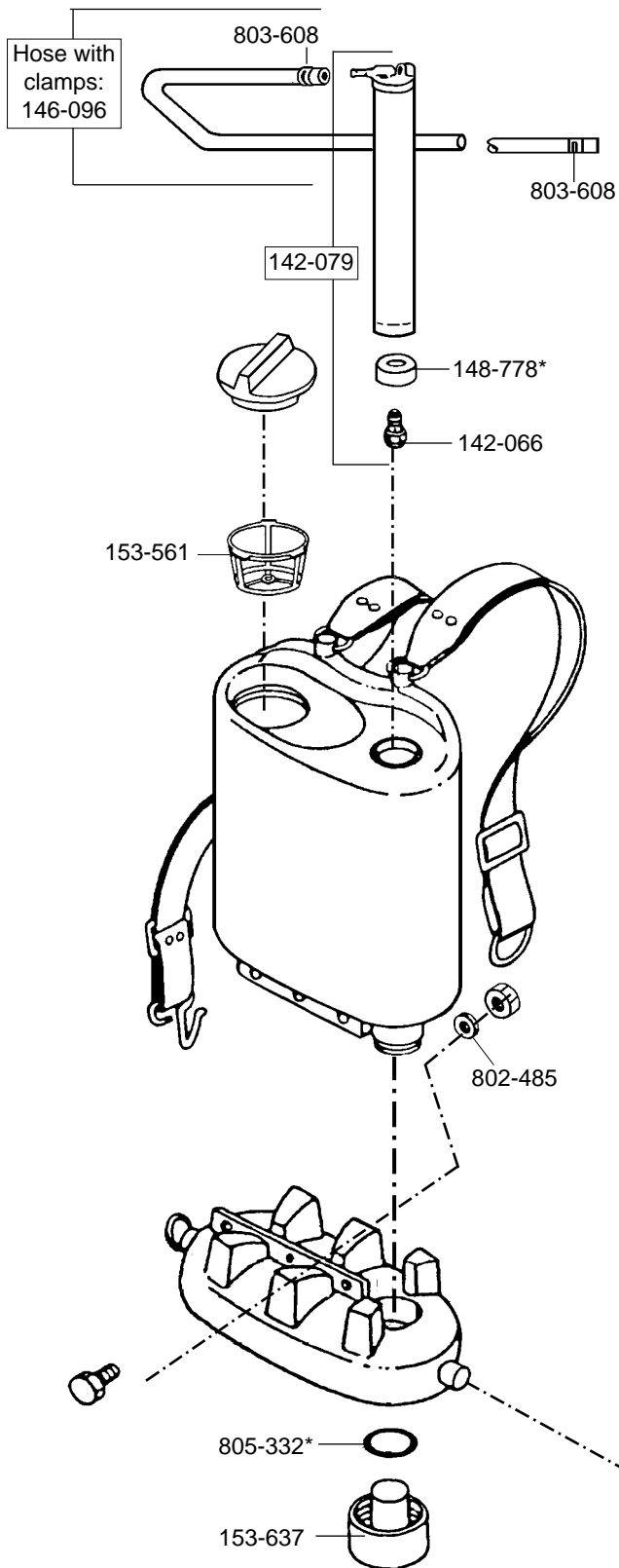


**MAINTENANCE PARTS FOR PRE 1995 X-PERT® & SUPREMA®
POLYETHYLENE BAK-PAK® SPRAYERS**

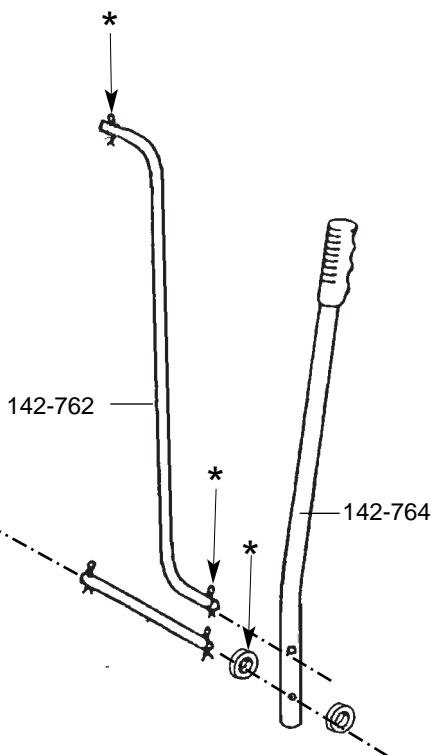
MODELS: 63154 93154



Maintenance
Kit: 6939



Parts marked
with * are included
in Maintenance
Kit.



HUDSON®
PROFESSIONAL DIVISION

H. D. HUDSON MANUFACTURING COMPANY
500 North Michigan Avenue • Chicago, IL 60611-3769
Phone: 800-644-2830 • FAX: 312-644-7989
E-Mail: ladybug@hdhudson.com
Website: <http://www.hdhudson.com>